

TG2625AFCS-P

2.6mm F2.5
for 1/3" format cameras
CS-Mount

Pinhole Lens with Focus & Amplifier

Model No.	TG2625AFCS-P	Effective Lens Aperture	Front	φ 4.8 mm	1/3
Focal Length	2.6mm		Rear	φ 11.5mm	
Max. Aperture Ratio	1 : 2.5	Back Focal Length	14.09 mm		
Max. Image Format	4.8 x 3.6mm (φ 6mm)	Flange Back Length	12.5 mm		
Operation Range	Iris	F2.5 ~ 360	Mount	CS-Mount	
	Focus	0.2m ~ Inf.	Filter Size	-	
Control	Iris	Auto Iris(by galvanometer)	Dimensions	φ 34.5 × 39.8 × 73.5 mm	CS
	Focus	Manual	Weight	85g	
Object Dimension at M.O.D.	35.5 x 26.7cm				
Angle of View	D	96.0°	1/4"	79.5°	
	H	83.2°		67.5°	
	V	67.5°		53.2°	
Supply Voltage	DC8 ~ 16V				
Current	less than 35mA				
Response Time	Approx. 2 sec.				
Light Weighting Method	Adjustable between Average - Peak (to be set at Average at factory)				
Input Signal	Video Signal (V or VS)				
Iris Accuracy	± 15% at Video Signal Level				
Sensitivity Adjustment	0.5 ~ 1.0Vp-p (Video Signal)				
Input Impedance	High Impedance				
Operating Temperature	-20°C ~ +50°C				

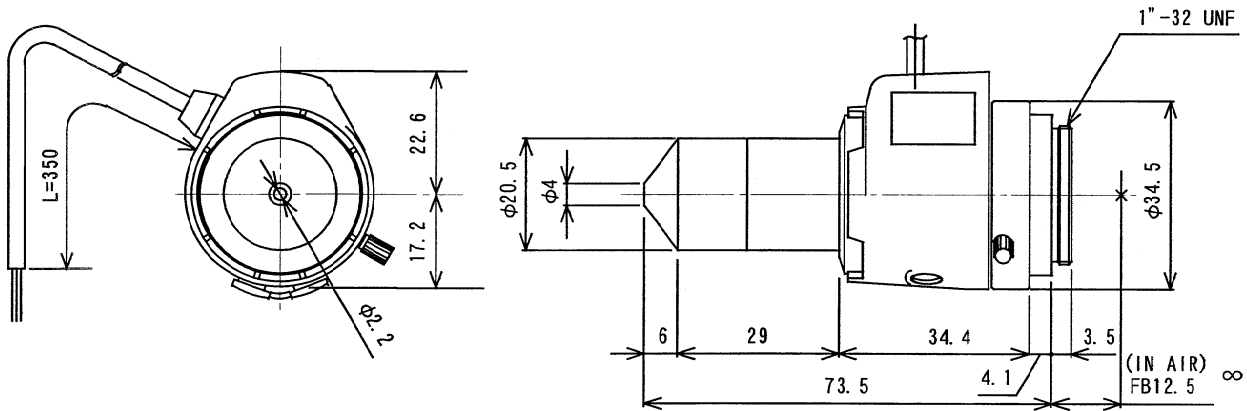
1/3

CS

AG

M.O.D. : Minimum Object Distance

Dimensions



SP

Wiring Diagram

