

TG2314AFCS-3

2.3mm F1.4
for 1/3" format cameras
CS-Mount

with Focus & Amplifier

Model No.	TG2314AFCS-3		Effective	Front	φ 22.8 mm
Focal Length	2.3mm		Lens Aperture	Rear	φ 7.0mm
Max. Aperture Ratio	1 : 1.4		Back Focal Length		7.1 mm
Max. Image Format	4.8 x 3.6mm (φ 6mm)		Flange Back Length		12.5 mm
Operation Range	Iris	F1.4 ~ 360	Mount		CS-Mount
	Focus	0.2m ~ Inf.	Filter Size		-
Control	Iris	Auto Iris(by galvanometer)	Dimensions		φ 32.0 × 39.8 × 35.4 mm
	Focus	Manual	Weight		48g
Object Dimension at M.O.D.	60.8 x 37.5cm				
Angle of View	D	137.9°	1/4"	106.7°	
	H	113.3°		86.3°	
	V	86.3°		65.3°	
Supply Voltage	DC8 ~ 16V				
Current	less than 35mA				
Response Time	Approx. 2 sec.				
Light Weighting Method	Adjustable between Average - Peak (to be set at Average at factory)				
Input Signal	Video Signal (V or VS)				
Iris Accuracy	± 15% at Video Signal Level				
Sensitivity Adjustment	0.5 ~ 1.0Vp-p (Video Signal)				
Input Impedance	High Impedance				
Operating Temperature	-20 ~ +50°C				

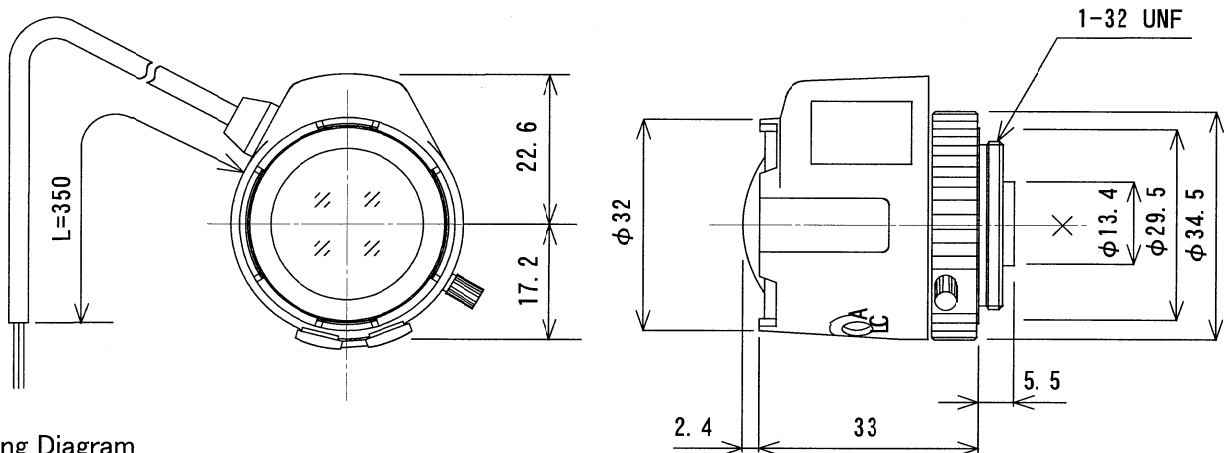
1/3

CS

AG

M.O.D. : Minimum Object Distance

Dimensions



Wiring Diagram

