

TG10Z0513AFCS

VARI FOCAL 10X 5~50mm F1.3

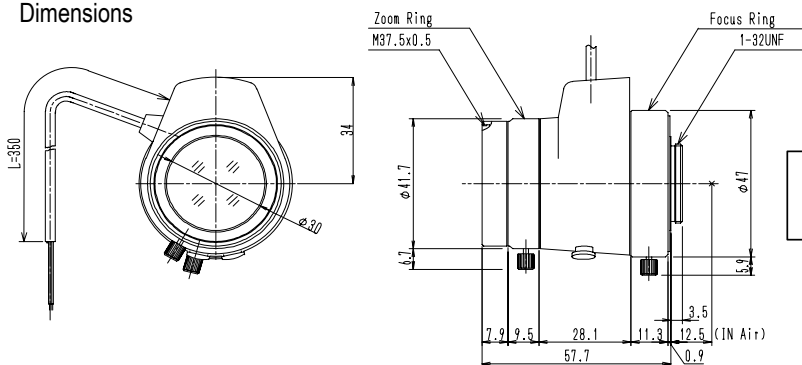
for 1/3"format cameras

CS-Mount

with Focus, with Amplifier

Model No.	TG10Z0513AFCS		Effective	Front	φ29.5mm	1/3
Focal Length	5 ~ 50mm		Lens Aperture	Rear	φ 8.7mm	
Max. Aperture Ratio	1 : 1.3		Back Focal Length	Tele	10.6mm	CS
Max. Image Format	4.8 x 3.6mm (φ6mm)			Wide	10.5mm	
Operation Range	Iris	F1.3 ~ 360	Flange Back Length		12.5mm	AG
	Focus	0.8m ~ Inf.	Mount		CS-Mount	
	Zoom	5 ~ 50mm	Filter Size		M37.5 P=0.5mm	
Control	Iris	Auto Iris	Dimensions		φ41.7 x 57.5 x 57.7mm	Z
	Focus	Manual	Weight		145g	
	Zoom	Manual				
Object Dimension at M.O.D.	5 mm	77.7 x 57cm				
	50 mm	7.8 x 6.0cm				
Angle of View	D	64~6.9°	1/3"	1/4"	48.8~5.3°	
	H	51.8~5.6°			39.2~4.3°	
	V	39.2~4.3°			29.5~3.2°	
Supply Voltage	DC8.5 ~ 16V					SP
Current	Less than 40mA					
Response Time	Approx. 2 sec.					
Light Weighting Method	Adjustable between Average - Peak (to be set at Average at factory)					
Input Signal	Video Signal (V or VS)					
Iris Accuracy	± 15% at Video Signal Level					
Sensitivity Adjustment	0.5 ~ 1.0Vp-p (Video Signal)					
Input Impedance	High Impedance					
Operating Temperature	-20 ~ +50°C					

Dimensions



M.O.D. : Minimum Object Distance

Wiring Diagram

