

## T6Z5710MS-CS

6X 5.7~34.2 mm F1.0  
for 1/3" format cameras  
CS-Mount

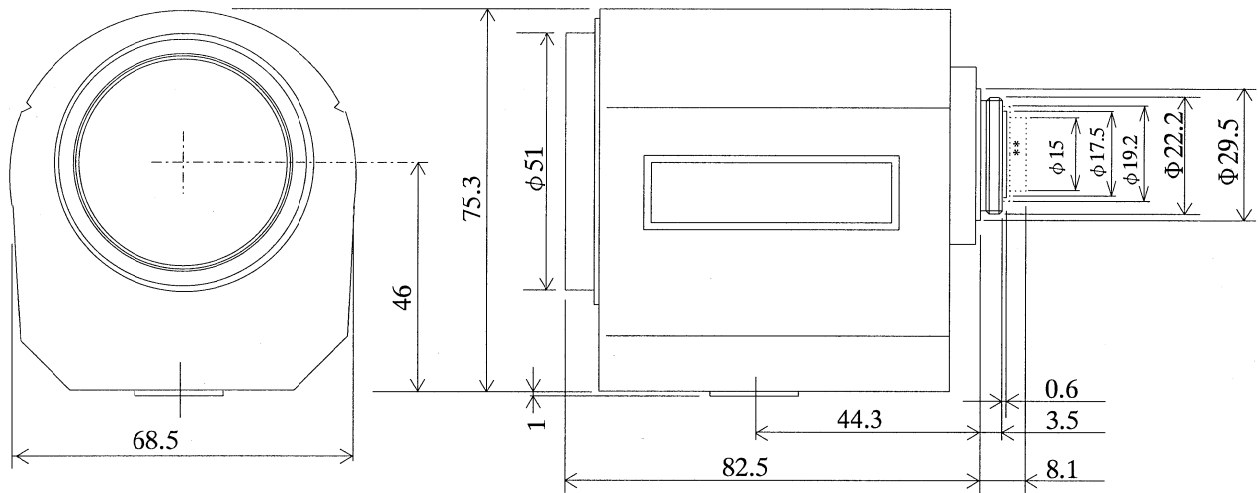
<b>Model No.</b>	T6Z5710MS-CS		<b>Effective</b>	<b>Front</b>	φ41.0 mm
<b>Focal Length</b>	5.7~34.2 mm		<b>Lens Aperture</b>	<b>Rear</b>	φ10.2 mm
<b>Max. Aperture Ratio</b>	1:1.0		<b>Back Focal Length</b>	8.5 mm	
<b>Max. Image Format</b>	4.8×3.6 mm (φ6 mm)		<b>Flange Back Length</b>	12.5 mm	
<b>Operation</b>	<b>Iris</b>	Motorized, F1.0~360C	<b>Mount</b>	CS-Mount	
	<b>Focus</b>	Motorized, 1.2m~Inf.	<b>Filter Size</b>	M49 P=0.75 mm	
	<b>Zoom</b>	Motorized, 5.7~34.2 mm	<b>Tripod Screw</b>	1/4"-20UNC	
<b>Object Dimension at M.O.D.</b>	5.7 mm	101.6 × 75.2 cm	<b>Dimensions</b>	W68.5 × H76.3 × D82.5 mm	
	34.2 mm	17.0 × 13.0 cm	<b>Weight</b>	430 g	
<b>Angle of View</b>	<b>D</b>	56.5° ~ 10.0°			
	<b>H</b>	1/3" 45.9° ~ 8.1°			
	<b>V</b>	34.8° ~ 6.2°			
<b>Control</b>	<b>Iris</b>		<b>Focus</b>		<b>Zoom</b>
	<b>Supply Voltage</b>	DC 8 V	DC 8 V	DC 8 V	DC 8 V
	<b>Current</b>	25 mA or less	20 mA or less	20 mA or less	20 mA or less
	<b>Transit Time</b>	Approx. 2 sec.	Approx. 3 sec.	Approx. 3.5 sec.	Approx. 3.5 sec.
<b>Operating Temperature</b>	-10° C ~ +50° C				

1/3

CS

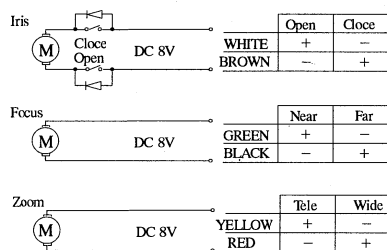
M.O.D. : Minimum Object Distance

### Dimensions



ZM

### Wiring Diagram



\*\*:  
Using with a B/W camera, please use the attached "B/W aberration compensation Filter" and "FB compensation Spacer". The filter (M20 p=0.5mm) should be screwed onto the lens from rear side and the spacer should be placed between lens and camera.

Remarks: Connect together with Brown (Iris), Black (Focus) and Red (Zoom) for common system when necessary.