

T21Z5816MSP-CS

21X 5.8~121.8mm F1.6

for 1/3" format cameras

CS-Mount

with Preset

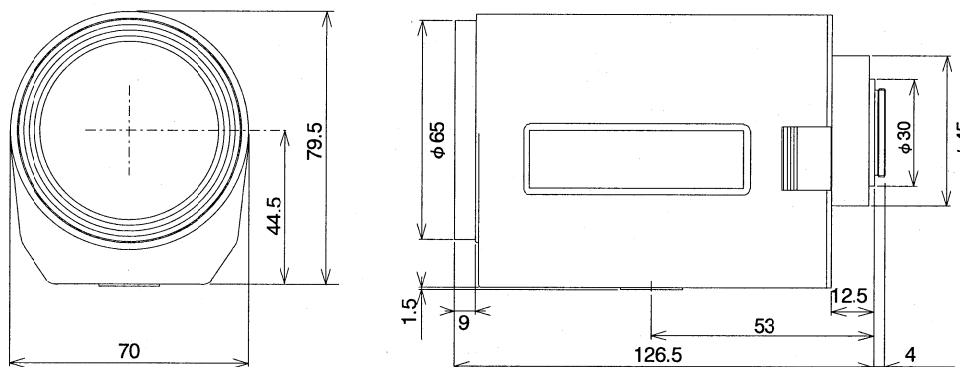
Model No.	T21Z5816MSP-CS		Effective Front	φ53.2 mm
Focal Length	5.8~121.8 mm		Lens Aperture Rear	φ10.6 mm
Max. Aperture Ratio	1:1.6		Back Focal Length	13.6 mm
Max. Image Format	4.8X3.6 mm (φ6 mm)		Flange Back Length	12.5 mm
Operation	Iris	Motorized, F1.6~560C	Mount	CS-Mount
	Focus	Motorized Preset, 1.5m~Inf.	Filter Size	M62×0.75 mm
	Zoom	Motorized Preset, 5.8~121.8mm	Tripod Screw	1/4"-20UNC
Object Dimension at M.O.D.	5.8 mm	123.7×91.1 cm	Dimensions	W70×H81×D126.5 mm
	121.8mm	6.0 × 4.7 cm		
Angle of View	D	55.5°~2.9°		
	H	1/3" 44.8°~2.3°		
	V	33.8°~1.8°		
Control	Iris		Focus	
	Supply Voltage	DC 8 V	DC 8 V	DC 8 V
	Current	20 mA or less	45 mA or less	50 mA or less
	Transit Time	Approx. 4 sec.	Approx. 5.5 sec.	Approx. 5.0 sec.
Preset Potentiometer	-	5 KVR	5 KVR	
Operating Temperature	-10° C~+50° C			

1/3

CS

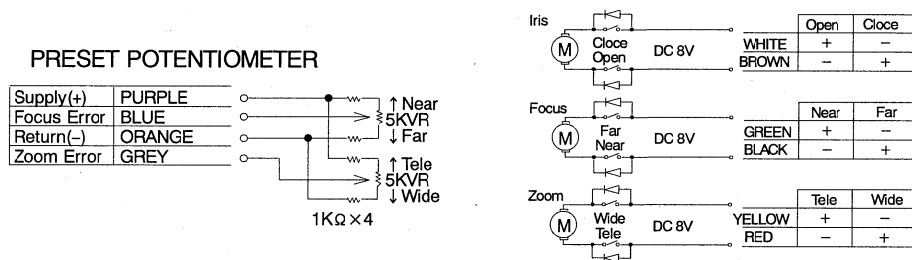
M.O.D. : Minimum Object Distance

Dimensions



ZM

Wiring Diagram



Remarks: Connect together with Brown (Iris), Black (Focus) and Red (Zoom) for common system when necessary.