

**T10Z5712AMS-CS**  
**10X 5.7~57mm F1.2**  
**for 1/3" format cameras**  
**CS-Mount**

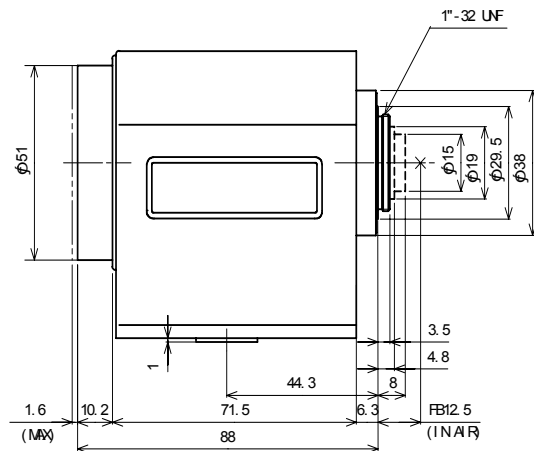
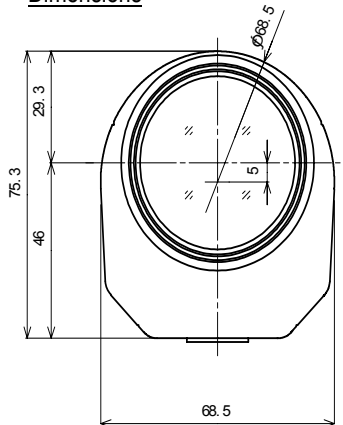
Model No.	T10Z5712AMS-CS		Effective	φ45.0 mm
Focal Length	5.7~57mm		Lens Aperture	φ8.6mm
Max. Aperture Ratio	1 : 1.2		Back Focal Length	8.5 mm
Max. Image Format	4.8 x 3.6mm (φ6mm)		Flange Back Length	12.5 mm
Operation Range	Iris	F1.2 ~ 560	Mount	CS-Mount
	Focus	1.8m ~ Inf.	Filter Size	M49 P=0.75 mm
	Zoom	5.7~57mm	Tripod Screw	1/4"-20UNC
Control	Iris	Auto Iris(by galvanometer)	Dimensions	W68.5 x H76.3 x D88mm
	Focus	Motorized	Weight	470g
	Zoom	Motorized		
Object Dimension at M.O.D.	5.7mm	37.1 x 27.9cm		
	57mm	3.8 x 2.9cm		
Angle of View	D	54.2~5.9°		
	H	44.6~4.8°		
	V	34.2~3.7°		
Control	Iris	Focus	Zoom	
Supply Voltage	DC8.5 ~ 16V		DC8V	DC8V
Current	40mA or less		20mA or less	20mA or less
Response Time	Approx. 2 sec.		Approx. 3 sec.	Approx. 3.5 sec.
Preset Potentiometer	□		-	-
Light Weighting Method	Adjustable between Average - Peak ( to be set at Average at factory )			
Remote Control	Level Remote			
Input Signal	Video Signal ( V or VS )			
Iris Accuracy	± 15% at Video Signal Level			
Sensitivity Adjustment	0.5~1.0Vp-p ( Video Signal )			
Input Impedance	High Impedance			
Operating Temperature	-10°C ~ +50°C			

1/3

CS

ZA

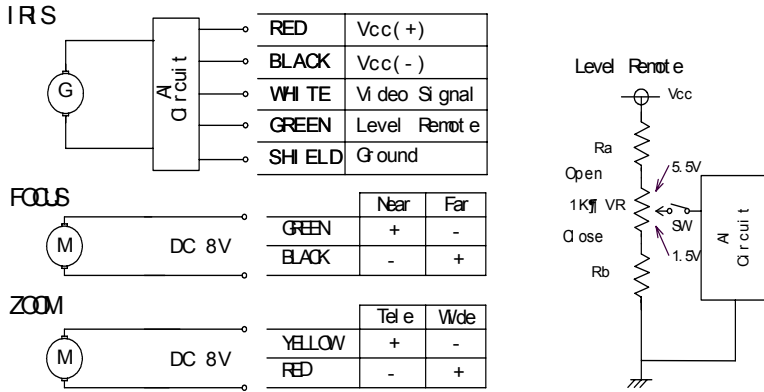
Dimensions



(B&W)  
 Using with a B/W camera,  
 Please use the attached  
 "B/W aberration compensa-  
 tion Filter" and  
 "FB compensati on Spacer".  
 the filter (M20 P=0.5mm)  
 should be screwed onto  
 the lens from rear side  
 and the spacer should be  
 placed between lens and  
 camera.

**T10Z5712AMS-CS**  
**10X 5.7~57mm F1.2**  
**for 1/3" format cameras**  
**CS-Mount**

Wiring Diagram



Remarks: Connect together with Black(Focus)and Red(Zoom) for common system when necessary.