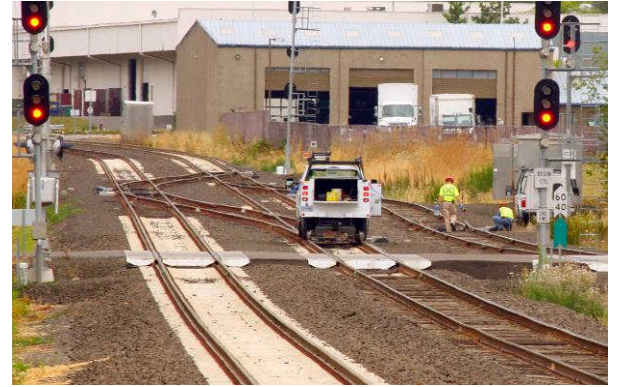




P-Iris, 5 Megapixel, 9-40mm Telephoto



9mm



40mm

Theia Technologies' new P-iris version of the popular SL940 megapixel telephoto lens provides more precise iris control with compatible cameras.

- ◆ Greater depth of field
- ◆ Improved contrast
- ◆ Better image sharpness and clarity
- ◆ Optimized megapixel camera images

Lens	SL940P P-iris
Focal length	9-40mm
Resolution	Up to 5MPix resolution
F/#	F/1.5 to close
IR Correction	Day/Night
Mount	CS
Lens length	<50mm
Iris cable length	30cm

The megapixel telephoto lens offers

- ◆ 9-40mm for long reach and field of view optimization
- ◆ IR corrected for true **Day/Night** cameras
- ◆ Supports **multi megapixel resolution** cameras for demanding applications up to five megapixels
- ◆ Compact design to fit into domes as small as 4" minidome size
- ◆ Designed with CS-mount for use with 1/3", 1/2.7" HD, and 1/2.5" sensors

Sensor size	1/3"	1/2.7" HD	1/2.5"
Field of view (H)	30° - 7.1°	37° - 8.6°	36° - 8.5°
Field of view (V)	22° - 5.3°	20° - 4.8°	27° - 6.3°
Field of view (D)	38° - 8.8°	42° - 9.9°	46° - 10.6°

Theia
TECHNOLOGIES

503.570.3296

www.TheiaTech.com

The P-iris lens

The P-Iris lens works with a P-iris camera's specialized software to gauge the best iris opening and optimize camera settings to get the best overall image.

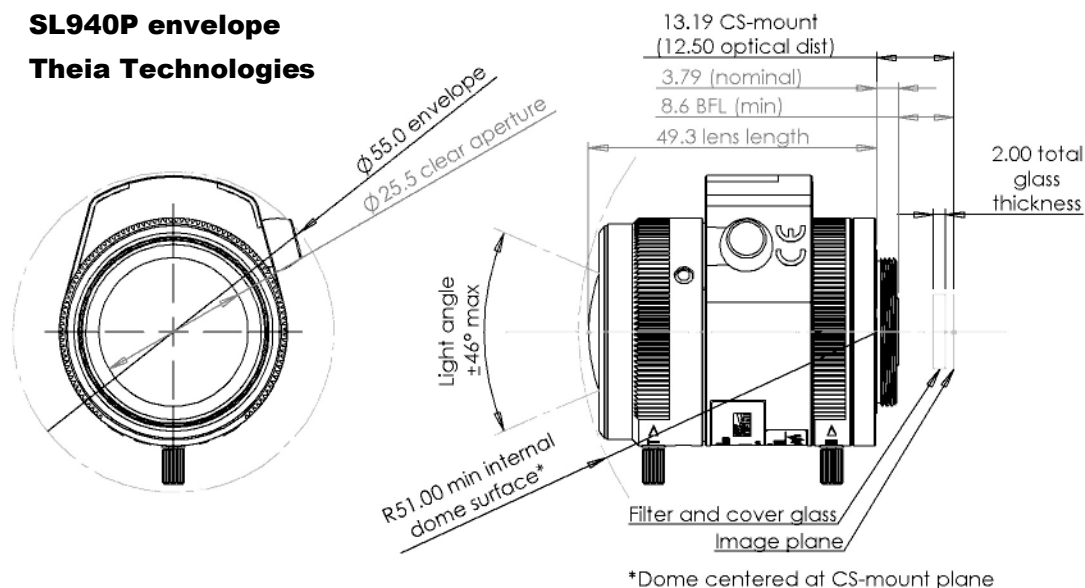
The size of iris opening and amount of light allowed in a lens affects the image exposure, sharpness and depth of field. Working in conjunction with the P-Iris lens, the camera uses electronics to manage slight changes in lighting conditions to balance these sometimes conflicting demands and optimize an image. In situations when the iris position and the camera's electronic processing capabilities cannot adequately correct the exposure, a P-Iris camera will automatically instruct the iris to move to a different position. In bright situations, a camera with P-Iris is programmed to limit the closing of the iris to a position that avoids diffraction or blurring, providing a sharper image.

The SL940 lens, with 5 megapixel resolution, IR correction and its compact 50mm size, provides a combination of features rarely found in other telephoto lenses available on the market today. The lens features a focal range of 9 to 40mm providing 36° to 7° horizontal field of view with 4.5x optical zoom and 16x digital zoom capability allowing the user to drill down into the

image capturing subjects in high detail. The P-iris feature adjusts the iris opening to further improve the depth of field, or the distance in front of and beyond the point of focus where objects appear to be sharp simultaneously. This is particularly important in the video surveillance of a long corridor or parking lot, for example.

The lens was developed to offer the security industry another unique product not found today. "With the introduction of the SL940P, Theia continues its tradition of offering high quality lenses with unique features and capabilities to the video surveillance industry. The SL940P lens responds to the industry's demand for improved performance in difficult and varied lighting conditions," said Jeff Gohman, President of Theia Technologies.

The CS-mount lens was designed to cover 1/2.5" imagers and smaller including 1/3", 1/2.7" HD size sensors. The lens is also available in manual and DC autoiris versions.



Theia Technologies in cooperation with Nittoh Kogaku K.K., Suwa Japan.

For more information contact:

Theia Technologies
info@TheiaTech.com
www.TheiaTech.com
Phone: 503-570-3296

Theia
TECHNOLOGIES
www.TheiaTech.com

nitt/h
www.NittohKogaku.co.jp