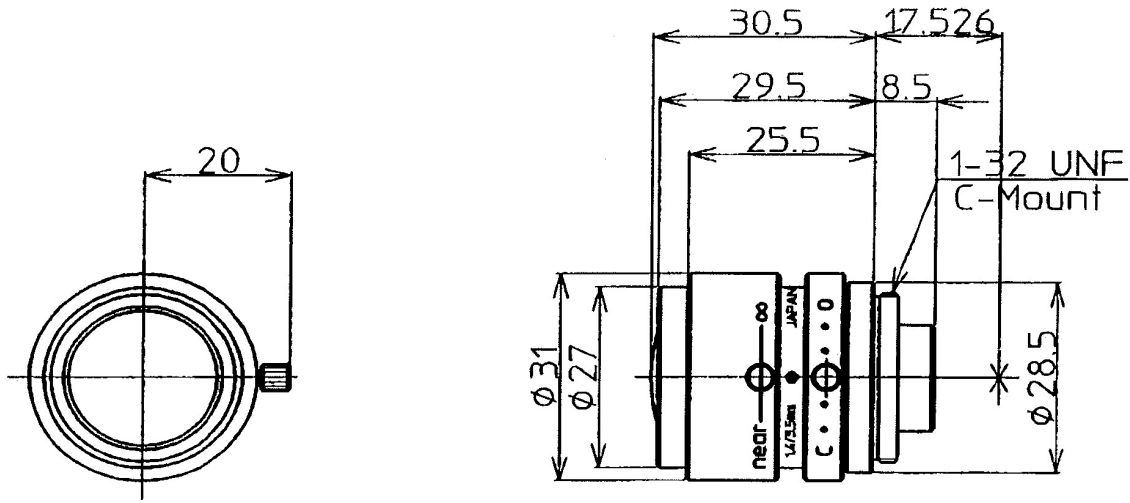


LM4NCL



Focal Length (mm)		$f = 3.5\text{mm} \pm 5\%$	
Relative Aperture		$F = 1 : 1.4 \pm 5\%$	
Format Size		1/2"	1/3"
Image Size		4.8 x 6.4 mm	3.6 x 4.8 mm
Angular Field of View	Diagonal	132.1°	97.5°
	Horizontal	103.6°	77.0°
	Vertical	76.6°	57.7°
Distortion		-28.0%	
Field of View at Minimum Object Distance	Diagonal	688 mm	
	Horizontal	396 mm	
	Vertical	247 mm	
Lens Construction		6 Groups	7 Elements
Minimum Focus Distance		0.2 m	
Flange Focal Length		17.526 mm in air	
Back Focal Length		8.89 mm in air	
Clear Apertur	Front	$\phi 19.6\text{ mm}$	
	Rear	$\phi 10.4\text{ mm}$	
Mount		C-Mont	
Exit Pupil Position		-71.4 mm	
Operating Temperature Range		$-10^{\circ}\text{C} \sim +45^{\circ}\text{C}$	
Storage Temperature Range		$-40^{\circ}\text{C} \sim +60^{\circ}\text{C}$	
Resolution	Center	100 lines/mm	
	Corner	40 lines/mm	
Stopper Strength		10kgf/cm	
Endurance Tests		Iris 5,000 Times	Focus 5,000 Times
Operating Torque		Iris 50-600gf/cm	Focus 100-1,000gf/cm
Weight		73grs. \pm 5grs.	