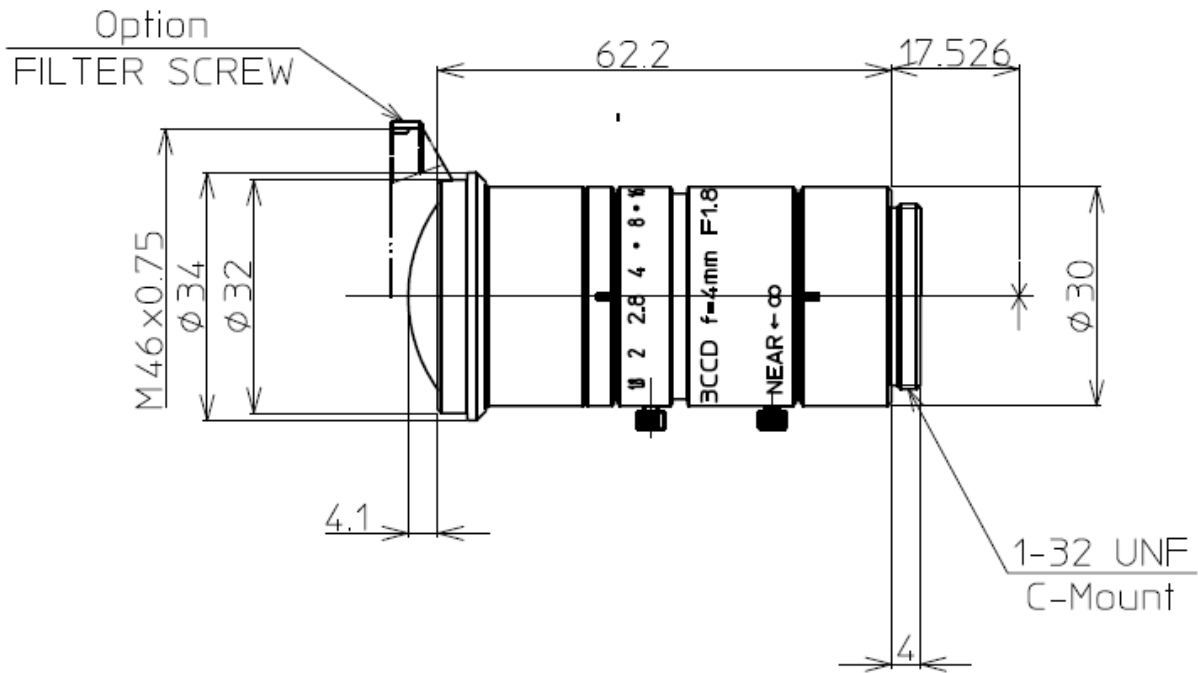


**Model: LM4NC3**



1/2" 1.8/4mm 3CCD		1/3"
FOCAL LENGTH	f=4.0mm	
MAX. DIAMETER (RATIO)	F=1:1.8~16	
PICTURE SIZE	6.4x4.8mm	4.8x3.6
ANGLE	VER. ANGLE	64.5°
	HOR. ANGLE	83.4°
	DIA. ANGLE	99.9°
DISTORTION (TV)	-5.0%	-3.2%
MINIMUM FOCUS DISTANCE	0.1m	
FLANGE BACK	17.526 mm in air	
BACK FOCUS	14.7mm in air	
FILTER SCREW SIZE	Option M46x0.75	
FRONT/REAR EFFECTIVE DIA.	φ27.4mm	φ12.9mm
MOUNT	C-MOUNT	
EXIT PUPIL	500mm	
TEMPERATURE RANGE	-10~+45° C	
STORNG TEMPERATURE RANGE	-40~+60° C	
RESOLUTION	120 LP/mm, 100 LP/mm	