



**For FA/Machine Vision
Fixed Focal**

HF12.5HA-1B

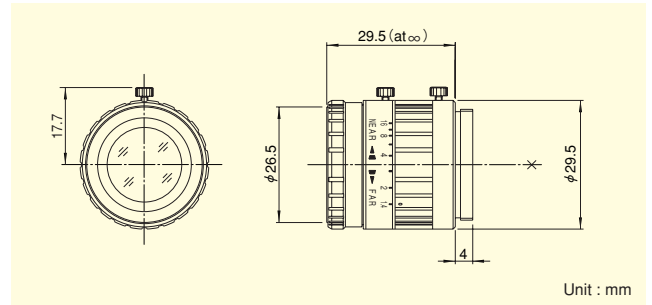
Applicable camera (model)

1	2/3	1/2	1/3	1/4
---	-----	-----	-----	-----

- FIXED**
Fixed Focal
- 1.5 Mega**
For Megapixel Camera
- MANUAL**
Manual Iris
- C-mt**
C Mount
- METAL**
Metal Mount
- F1.4**
Wide Aperture Rate



- High-resolution design, providing support for up to 1.5 megapixel camera resolution.
- Low-distortion design achieving accurate image input.
- Compact, lightweight and robust design, supporting various systems.
- Focus & iris lock tab provided, supporting environments such as vibration.



Unit : mm

Focal Length (mm)		12.5
Iris Range		F1.4 ~ F16
Operation	Focus	Manual
	Iris	Manual
Angle Of View (H×V)	2/3"	38°47' × 29°35'
	1/2"	28°43' × 21°44'
	1/3"	21°44' × 16°23'
Focusing Range (From Front Of The Lens) (m)		∞ ~ 0.1
Object Dimensions at M.O.D. (H×V) (mm)	2/3"	78 × 58
	1/2"	57 × 42
	1/3"	42 × 32
Back Focal Distance (in air) (mm)		15.09
Exit Pupil Position (From Image Plane) (mm)		-31.3
Filter Thread (mm)		M25.5 × 0.5
Mount		C
Mass (g)		45

Remarks

- With Metal Mount
- With Locking Knob for Iris and Focus

FIXED FOCAL LENGTH LENSES



**For FA/Machine Vision
Fixed Focal**

HF16HA-1B

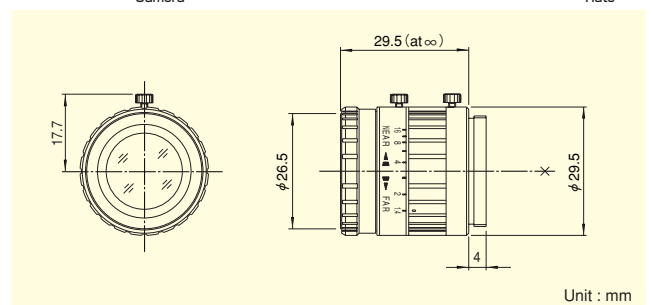
Applicable camera (model)

1	2/3	1/2	1/3	1/4
---	-----	-----	-----	-----

- FIXED**
Fixed Focal
- 1.5 Mega**
For Megapixel Camera
- MANUAL**
Manual Iris
- C-mt**
C Mount
- METAL**
Metal Mount
- F1.4**
Wide Aperture Rate



- High-resolution design, providing support for up to 1.5 megapixel camera resolution.
- Low-distortion design achieving accurate image input.
- Compact, lightweight and robust design, supporting various systems.
- Focus & iris lock tab provided, supporting environments such as vibration.



Unit : mm

Focal Length (mm)		16
Iris Range		F1.4 ~ F16
Operation	Focus	Manual
	Iris	Manual
Angle Of View (H×V)	2/3"	30°45' × 23°18'
	1/2"	22°37' × 17°04'
	1/3"	17°04' × 12°50'
Focusing Range (From Front Of The Lens) (m)		∞ ~ 0.1
Object Dimensions at M.O.D. (H×V) (mm)	2/3"	63 × 47
	1/2"	46 × 34
	1/3"	34 × 26
Back Focal Distance (in air) (mm)		15.15
Exit Pupil Position (From Image Plane) (mm)		-30.9
Filter Thread (mm)		M25.5 × 0.5
Mount		C
Mass (g)		45

Remarks

- With Metal Mount
- With Locking Knob for Iris and Focus