

# H6Z0812AMS

**6X 8mm - 48mm F1.2**  
**for 1/2 type Cameras, Motorized Zoom**  
**C-Mount**

with Video Auto Iris

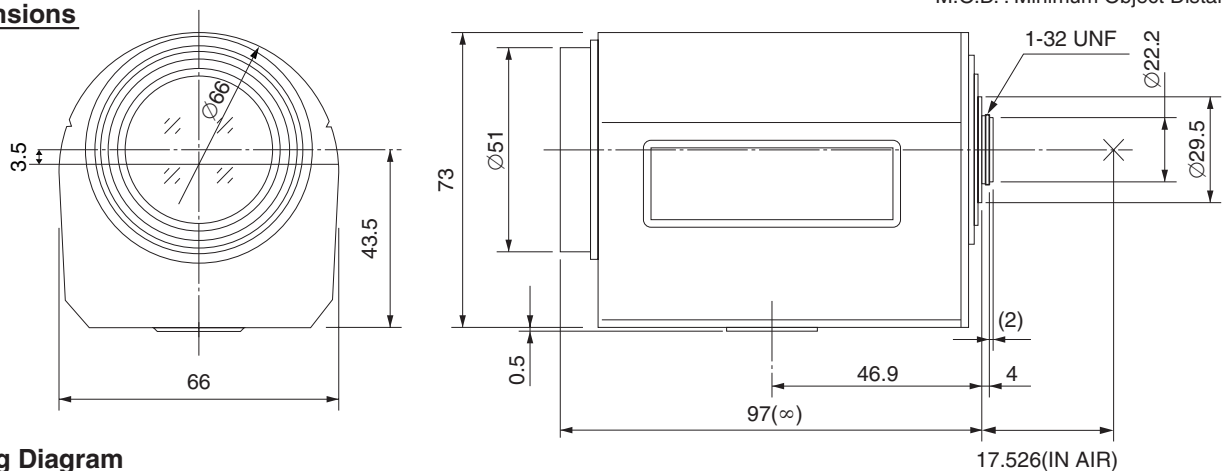
Model No.	H6Z0812AMS		Effective	Front	Ø39.2mm		
Focal Length	8mm - 48mm		Lens Aperture	Rear	Ø16.6mm		
Max. Aperture Ratio	1:1.2		Back Focal Length	11.4mm			
Max. Image Format	6.4mm x 4.8mm(Ø8mm)		Flange Back Length	17.526mm			
Operation Range	Iris	F1.2 - F560C	Mount	C-Mount			
	Focus	1.2m - Inf.	Filter Size	M49 P=0.75mm			
	Zoom	8mm -48mm	Tripod Screw	1/4 - 20UNC			
Control	Iris	Video Auto Iris	Dimensions	W66mm x H73.5mm x D97mm			
	Focus	Motorized	Weight	420g			
	Zoom	Motorized					
Object Dimension at M.O.D.	8mm	98.4cm x 72.2cm					
	48mm	16.8cm x 12.8cm					
Angle of View	D	1/2 type	55.8° - 9.9°	1/3 type	41.8° - 7.5°	1/4 type	31.4° - 5.6°
	H		44.6° - 8.0°		33.5° - 6.1°		25.2° - 4.6°
	V		33.5° - 6.1°		25.2° - 4.6°		18.9° - 3.4°
		Iris	Focus	Zoom			
Supply Voltage	DC8.5V - DC16V		DC8V	DC8V			
Current	40mA or less		30mA or less	30mA or less			
Response Time	Approx. 2 sec.		Approx. 4.5 sec.	Approx. 4 sec.			
Preset Potentiometer	—		—	—			
Light Weighting Method	Adjustable between Average - Peak (to be Set at Average at Factory)						
Remote Control	Level Remote (Option)						
Input Signal	Video Signal (V. or V.S.)						
Iris Accuracy	±15% at Video Signal Level						
Sensitivity Adjustment	0.5V(p-p) - 1.0V(p-p) (Video Signal)						
Input Impedance	High Impedance						
Operating Temperature	-10°C - +50°C						

1/2 type

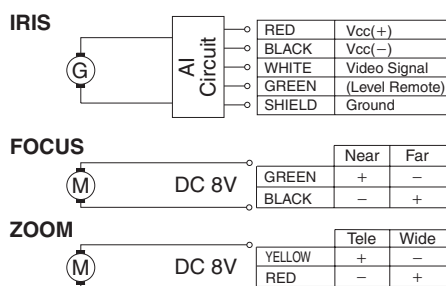
C

M.O.D. : Minimum Object Distance

**Dimensions**



**Wiring Diagram**



**(Level Remote)**

