

H10Z0812MSP

10X 8mm - 80mm F1.2
for 1/2 type Cameras, Motorized Zoom
C-Mount

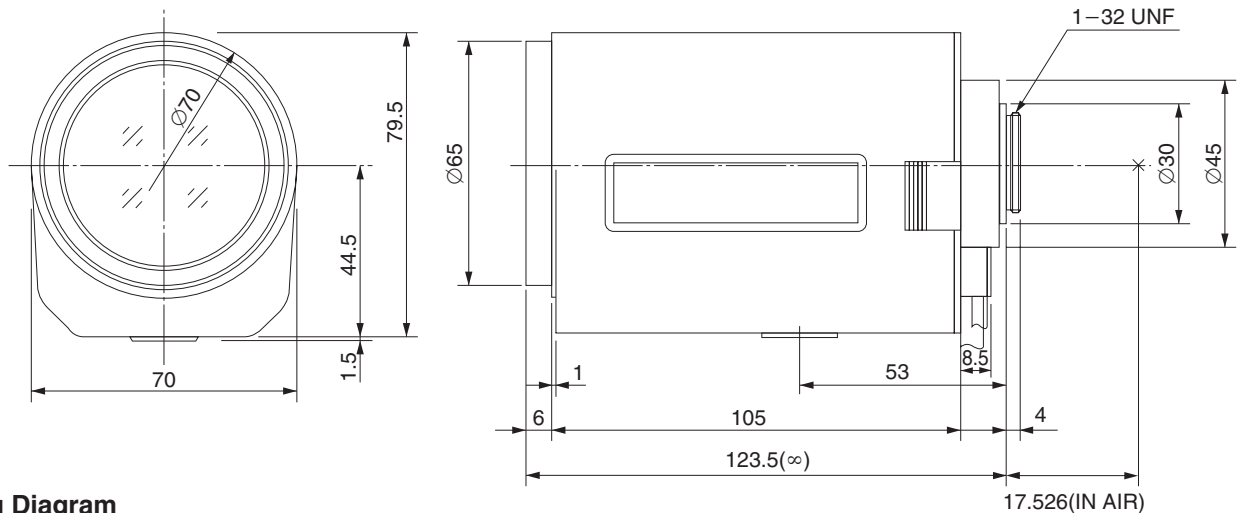
with Spot Filter and Preset

Model No.	H10Z0812MSP		Effective	Front	Ø54.0mm		
Focal Length	8mm - 80mm		Lens Aperture	Rear	Ø14.0mm		
Max. Aperture Ratio	1:1.2		Back Focal Length	15.3mm			
Max. Image Format	6.4mm x 4.8mm(Ø8mm)		Flange Back Length	17.526mm			
Operation Range	Iris	F1.2 - F560C	Mount	C-Mount			
	Focus	1.5m - Inf.	Filter Size	M62 P=0.75mm			
	Zoom	8mm - 80mm	Tripod Screw	1/4 - 20UNC			
Control	Iris	Motorized	Dimensions	W70mm x H81mm x D123.5mm			
	Focus	Motorized, Preset	Weight	670g			
	Zoom	Motorized, Preset					
Object Dimension at M.O.D.	8mm	124.8cm x 92.5cm					
	80mm	12.3cm x 9.2cm					
Angle of View	D	1/2 type	54.3° - 5.8°	1/3 type	41.3° - 4.4°	1/4 type	31.2° - 3.3°
	H		44.0° - 4.7°		33.3° - 3.5°		25.0° - 2.6°
	V	33.3° - 3.5°	25.0° - 2.6°	18.8° - 2.0°			
		Iris	Focus	Zoom			
Supply Voltage	DC8V		DC8V	DC8V			
Current	20mA or less		40mA or less	35mA or less			
Response Time	Approx. 2.5 sec.		Approx. 4.5 sec.	Approx. 3.5 sec.			
Preset Potentiometer	—		5kQVR	5kQVR			
Operating Temperature	-10°C - +50°C						

1/2 type

C

Dimensions



Wiring Diagram

PRESET POTENTIOMETER

