

BMH-S18

2MP HD-SDI Mini Box Camera

HD-SDI



SPECIFICATIONS

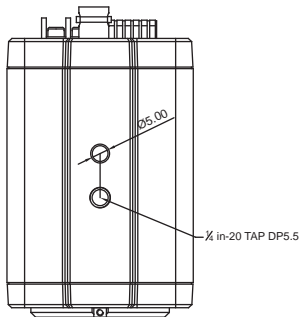
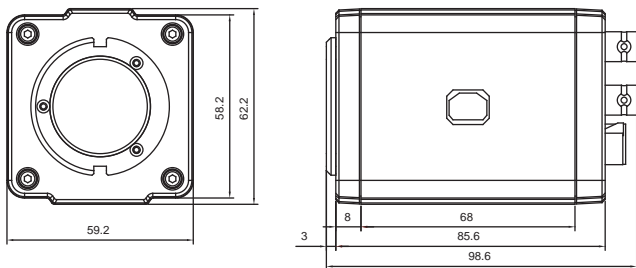
MODEL	BMH-S18
Image Sensor	1/2" Sony CMOS sensor
Image size	Diagonal 8.58 mm(Type 1/1.9)
Effective pixels	1945(H)x1225(V) Approx. 2.38M pixels
Scanning System	Progressive
Resolution	Digital : 1080p/60(50)fps, 1080p/30(25)fps, 720p/60(50)fps, 720p/30(25)fps
Video Output	HD-SDI, EX-SDI, CVBS, TVI
S/N Ratio	more than 50dB (AGC off)
Brightness	0 ~ 20 steps
Lens	C/CS mount lens
Shutter Speed	Auto / Manual (1/30(1/25) ~ 1/60000)
DSS	Off / x2 / x3 / x4
AGC	Off / On
WDR/BLC	Off / WDR / BLC
Day&Night	Auto / Day / Night / Ext
White Balance	Auto / One push / Manual / Indoor / Outdoor
Sharpness	0 ~ 10 steps
Mirror	Off / H / V / H&V
Freeze	Off / On
Digital Zoom	x1 ~ x32
HLC	Off / On
ACE	Off / On
DNR	Off / Low / Middle / High / Auto
Digital Compress	OFF / ON
Privacy	Off / On (32 points)
Motion	Off / On (4 points)
Defect Detection	Off / On
Defog	Off / On
System	NTSC / PAL
Communication	ID (1 ~ 255) BAUDRATE (2400 / 4800 / 9600 / 19200 / 38400 / 57600/115200) PROTOCOL (PELCO-P / PELCO-D / UPDATE / VISCA)
Default	ON / DONE
Language	English / Simplified Chinese / Traditional Chinese / Japanese
OSD Text	0 ~ 9 , A ~ Z , a ~ z
Power Source	DC12V±10%
Power Consumption	250mA
Power Input	Connector
Video Output(HD-SDI)	BNC Connector
Operating Temperature	-10℃ ~ +50℃ (Humidity : 0%RH ~ 90%RH)
Storage Temperature	-20℃ ~ +60℃ (Humidity : 0%RH ~ 90%RH)
Weight	Approximately 0.30kg

FEATURES

- 1/2" 2MP 60fps CMOS sensor
- 1080p 60fps / 30fps, 720p 60fps
- HD-SDI, EX-SDI, CVBS, TVI
- x32 Digital Zoom
- Real-time True WDR
- Digital Noise Reduction(2D+3D)
- Digital Slow Shutter
- Digital Image Stabilizer
- De-Fog, Live Defect correction, HLC(High Light Compensation)
- ACE(Advanced Contrast Enhancement)
- Privacy Mask, Motion Detection
- Day & Night
- C/CS Mount

DIMENSIONS

Unit : mm



* Design and specifications are subject to change without notice.

Real WDR

