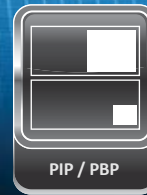


LED

PREMIUM LED BLU



18REDP

BUILT TO RUN 24 X 7 X 365 CONTINUOUSLY

OVERVIEW

The ORION Images 18REDP LCD w/ LED BLU (backlight unit) high brightness displays are a truly professional experience in next generation technology using eco-friendly material (no mercury or halogen). This technology exceeds the NTSC color gamut standard of 100% with the LED BLU at 123% to provide a wider range of colours than ever before.

FEATURES

- Metal Chassis
- LED BLU (Back Light Unit) Display Monitor
- PIP / PBP Multi Display Function
- 3D Comb Filter / Deinterlace, Noise Reduction, Advanced Auto Power Recovery, Auto Pixel Shift, Auto Source Sequencing, Trigger Source Switching, Multi-Language Support
- BNC Video 2 In / 2 Out, S-Video 1 In / 1 Out, VGA 1 In, Component 1 In, DVI-D 1 In, HDMI 2 In, Audio 3 In, PC Stereo 1 In
- Built-In Speakers
- Wall and Rack Mount Kit

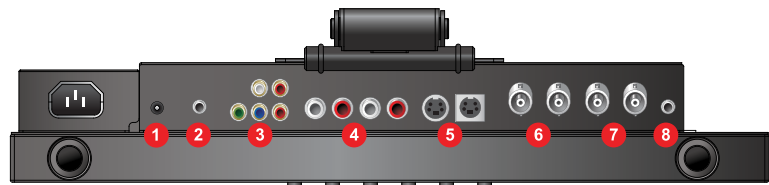


SPECIFICATIONS

18REDP	
Display	
Screen Size	18.5 Inch
Max. Resolution	1366 x 768 @ 60Hz
Pixel Pitch	0.3 x 0.3mm
Brightness	250cd/m ²
Contrast Ratio	1000 : 1
Aspect Ratio	16 : 9
Viewing Angle (H/V)	170° / 160°
Display Color	16.7 Million
Response Time	< 5ms
Video System	NTSC / PAL
Interface	
Video In / Out (BNC Type)	2 In / 2 Out
S-Video In / Out	1 In / 1 Out
Component	1 In
DVI-D In / HDMI In	1 In / 2 In
VGA In (15Pin D-Sub)	1 In
Audio In (RCA Type)	3 Left & Right
PC Stereo In	1 In
Transmitter	
Remote Control	Yes
Audio	
Built-in Speakers	Yes (1W x 2)
Features	
Multi Display Function	PIP / PBP
Filter Type	3D Comb Filter
Deinterlacing	Yes
Noise Reduction Control (NR)	Yes
Advanced Auto Power Recovery	Yes
Auto Pixel Shift	Yes
Auto Source Sequencing	Yes
Trigger Sensor	Yes (NO / NC)
Multi Language	English, Spanish, French, German, Italian
General	
Outline Dimension (W x H x D)	17.6" x 11.6" x 3.1"
Net Weight	5.8 Kg (12.78 lbs)
Material / Color	Metal / Black
Desk Top Stand	Kick Type
Part / Labor	3year / 3year
Consumption: < On	< 35W
	AC100 ~ 240V(50/60Hz)
Electrical Ratings	DC 12V / 3.5A
Operating Temperature	0° ~ 40° C / 32° ~ 104° F
Storage Temperature	-20° ~ 60° C / -4° ~ 140° F
Mounts	
VESA™ Mount Size	100 x 100mm
Wall	WB-5, WB-10, WB-30, WB-31
Ceiling	CMK-01

*Design and specifications are subject to change without notice

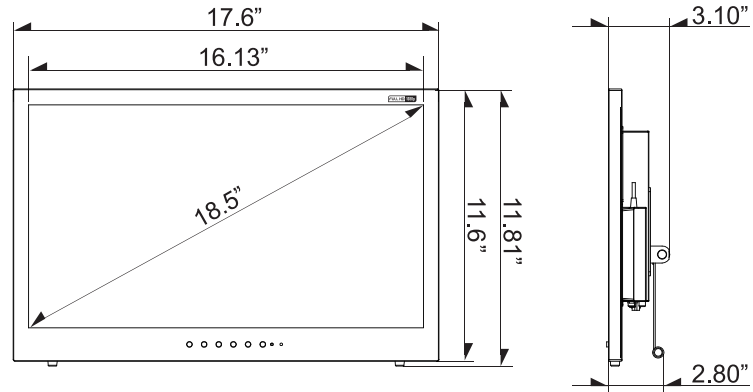
INPUT INTERFACE



- 1 DC 12V In
- 2 Trigger In
- 3 Component In
- 4 Audio In (RCA Type)
- 5 S-Video In / Out
- 6 Video1 In / Out
- 7 Video2 In / Out
- 8 PC Stereo In
- 9 RGB In (15pin D-Sub)
- 10 DVI-D In
- 11 HDMI In (1, 2)



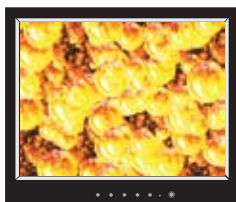
DIMENSIONS



ADVANTAGES

3D Comb Filter

In signal processing, a comb filter adds a delayed version of a signal to itself, causing constructive and destructive interference. The frequency response of a comb filter consists of a series of regularly-spaced spikes, giving the appearance of a comb.



Before 3D Comb Filter



After 3D Comb Filter

OPTIONAL MOUNTS

