
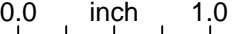
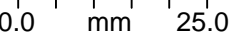

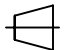


OUTLINE

| | | | | | |
|---|-----------|---|--|--|---------|
| UNLESS OTHERWISE SPECIFIED DIMENSIONS ARE IN INCHES AND INCLUDE CHEMICALLY APPLIED OR PLATED FINISHES | | THE CONTENTS OF THIS DOCUMENT ARE PROPRIETARY TO NAVITAR, ITS USE IS AUTHORIZED ONLY FOR RESPONDING TO REQUEST FOR QUOTATION OR PERFORMANCE OF WORK FOR NAVITAR | |  ROCHESTER, NEW YORK | |
| SCALE: | 1:1 | 0.0 inch 1.0  0.0 mm 25.0  | | 1/2x ADAPTER MOD. II | |
| WEIGHT: | .25 lbm | | | | |
| DR: | SG | | | | |
| CH: | | | | | |
| PROJECT #: | | DO NOT SCALE DRAWING | | SIZE | 1-60439 |
| DATE DR: | 2/24/1993 |   | | A | |
| | | | | SHEET 2 OF 2 | |